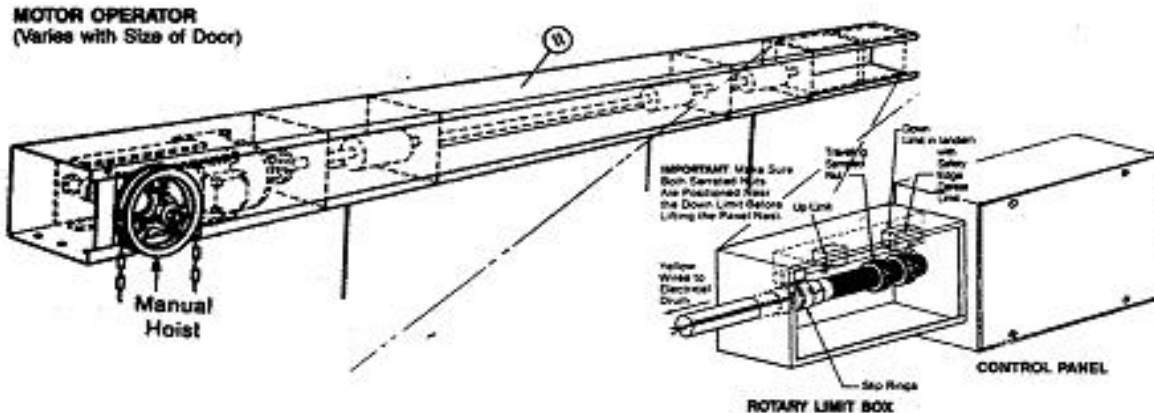




# ADVANCED DOOR SYSTEMS

DESIGNERS & INTEGRATORS OF INDUSTRIAL DOORS & DOOR CONTROL SYSTEMS

1020 W. 14 MILE ROAD • CLAWSON, MI 48017 • PHONE 877-436-0302 • WWW.ADVANCEDSYSTEMSDOORS.COM



## Teledoor Parts List (current products)

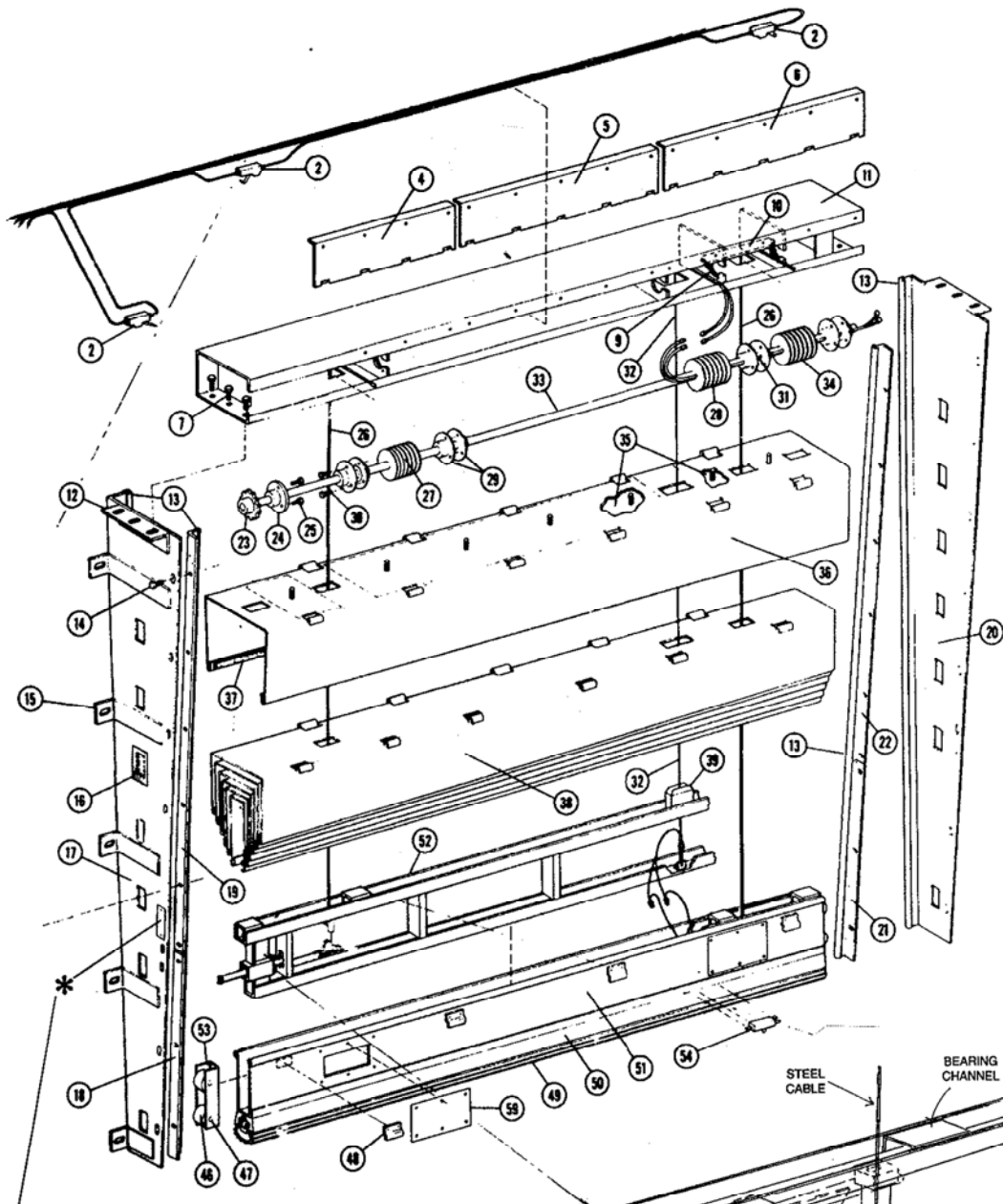
Item	Description
2.	Limit Switch, Overtravel and Safety Stop
4.	Header Closure, Left-hand Section
5.	Header Closure, Center Section
6.	Header Closure, Right-hand Section
7.	3/8" dia., 1" long Bolt with Lockwasher and Nut
9.	Extension Spring for Cable Roller
10.	Cable Retainer Roller
11.	Header Box Assembly
12.	Header Box Support Angle
13.	Side Guide Plastic Edging
14.	5/16" dia., 1" long Bolt and Lockwasher and Nut
15.	Side Guide Mounting and Stiffener Angle
16.	Slot Cover
17.	Outer Guide Assembly, Left-hand
18.	Inner Guide Bottom Section, Left-hand
19.	Inner Guide Top Section, Left-hand
20.	Outer Guide Assembly, Right-hand
21.	Inner Guide Bottom Section, Right-hand
22.	Inner Guide Top Section, Right-hand
23.	Drum Shaft to Operator Chain Coupling
24.	Bearing, Flange Unit
25.	3/8" dia., 1-1/2" long Carriage Bolt with Lockwasher and Nut
26.	Steel Lifting Cable
27.	Left Lifting Drum (right-hand thread)
28.	Winding Drum for Electrical Conductor Cable (right-hand thread)
29.	Intermediate Bearing Flanges
30.	3/8" dia., 1" long Carriage Bolt with Lockwasher and Nut
31.	Intermediate Bearing
32.	Electrical Conductor Cable (Includes Bottom Spring and Thimble)
33.	Drum Shaft Assembly
34.	Right Lifting Drum (left-hand thread)
35.	Top Panel Mounting Plate with 1/2" dia. Mounting Studs
36.	Top Panel
37.	File Weatherstrip for Panel Longitudinal Edges
38.	Panel Nest (includes #36 - Top Panel and #51 - Bottom Panel)
39.	Panel Alignment Bracket Assembly
46.	Rubber Guide Roller
47.	Spring Pin for Guide Roller
48.	Lock Plate for Bottom Panel
49.	Bottom Edge Vinyl Weatherseal Insert
50.	Aluminum Bottom Edge Assembly
51.	Bottom Panel
52.	Longitudinal Channel Reinforcement for Bottom Panel Assembly
53.	End Channel Reinforcement for Bottom Panel Assembly
54.	Safety Edge Limit Switch
59.	Cover Plate, Access Panel



# ADVANCED DOOR SYSTEMS

DESIGNERS & INTEGRATORS OF INDUSTRIAL DOORS & DOOR CONTROL SYSTEMS

1020 W. 14 MILE ROAD • CLAWSON, MI 48017 • PHONE 877-436-0302 • WWW.ADVANCEDSYSTEMSDOORS.COM



**\*IMPORTANT**  
When ordering parts, the door serial number must appear on order as shown on tag mounted on left hand outer guide approximately 5-ft. above floor.

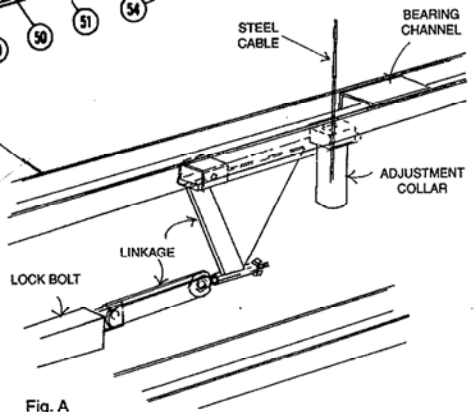


Fig. A